

stonewood[®]
inspiring living space

LINX LAMINAM
COLLECTION
PRICE LIST
2018

LAMINAM FINISHES



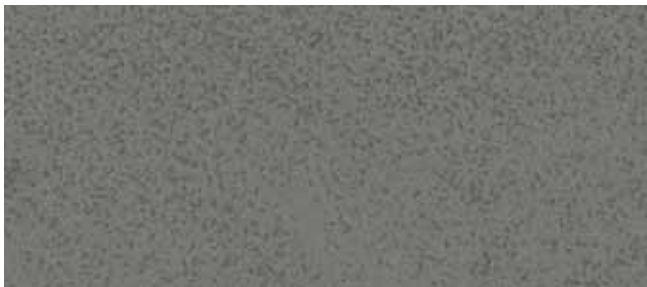
BLEND NERO

Price Group **A**



TRAVERTINO AVORIO

Price Group **A**



BLEND GRIGIO

Price Group **A**



OSSIDIANA VENA SCURA

Price Group **A**



OXIDE PERLA

Price Group **B**



OXIDE GRIGIO

Price Group **B**



FOKOS TERRA

Price Group **B**



OXIDE MORO

Price Group **B**



FOKOS ROCCIA

Price Group **B**



OXIDE NERO

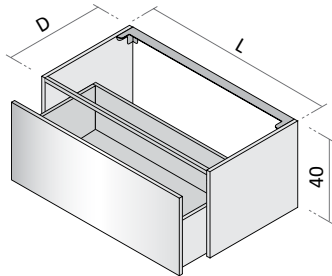
Price Group **B**

Push & Pull Drawer

Measurements(CM)

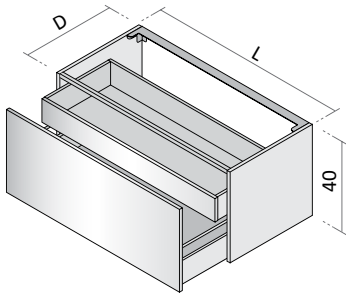
Price Including VAT

Base unit with 1 large drawer



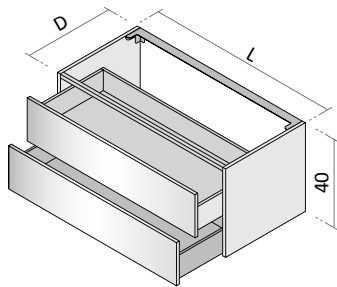
D	L	CODE	LAMINAM £
54	40	40 L L 40 54 C	789
54	50	40 L L 50 54 C	853
54	60	40 L L 60 54 C	918
54	70	40 L L 70 54 C	992
54	80	40 L L 80 54 C	1067
54	90	40 L L 90 54 C	1142
54	100	40 L L 100 54 C	1217

Base unit with 1 large drawer and internal drawer

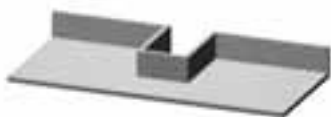


D	L	CODE	LAMINAM
54	40	40 L L 40 54 C I	950
54	50	40 L L 50 54 C I	1035
54	60	40 L L 60 54 C I	1121
54	70	40 L L 70 54 C I	1206
54	80	40 L L 80 54 C I	1281
54	90	40 L L 90 54 C I	1367
54	100	40 L L 100 54 C I	1453

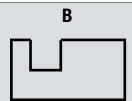
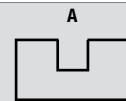
Base unit with 2 drawers H 20



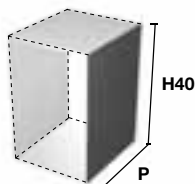
D	L	CODE	LAMINAM
54	40	40 L L 40 54 C2	1035
54	50	40 L L 50 54 C2	1110
54	60	40 L L 60 54 C2	1196
54	70	40 L L 70 54 C2	1281
54	80	40 L L 80 54 C2	1367
54	90	40 L L 90 54 C2	1453
54	100	40 L L 100 54 C2	1538



Shaped Cut Out in top Drawer for waste



-	-	CODE	CA.SA.S	£ 74	£ 94



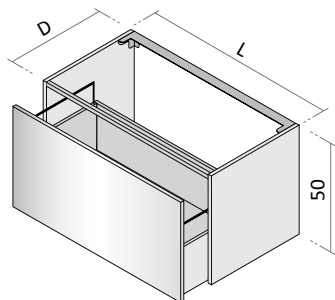
side panels pair		LAMINAM
D 54	40 FF LA 54	£ 201

Push & Pull Drawer

Measurements(CM)

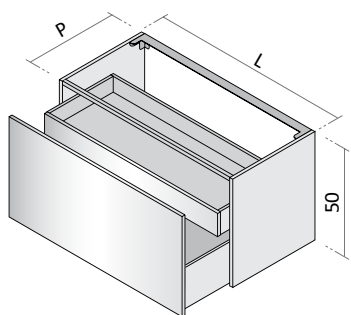
Price Including VAT

Base unit with 1 large drawer



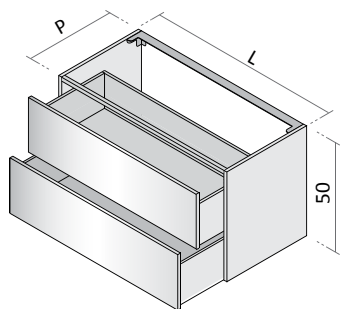
D	L	CODE	LAMINAM £
54	40	50 L L 40 54 C	853
54	50	50 L L 50 54 C	928
54	60	50 L L 60 54 C	1007
54	70	50 L L 70 54 C	1078
54	80	50 L L 80 54 C	1174
54	90	50 L L 90 54 C	1260
54	100	50 L L 100 54 C	1356

Base unit with 1 large drawer and internal drawer

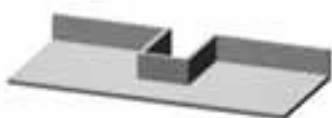


D	L	CODE	LAMINAM
54	40	50 L L 40 54 C I	1035
54	50	50 L L 50 54 C I	1074
54	60	50 L L 60 54 C I	1206
54	70	50 L L 70 54 C I	1292
54	80	50 L L 80 54 C I	1378
54	90	50 L L 90 54 C I	1474
54	100	50 L L 100 54 C I	1570

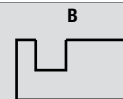
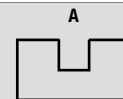
Base unit with 2 drawers H 25



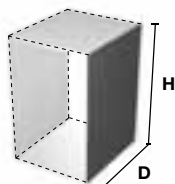
D	L	CODE	LAMINAM
54	40	50 L L 40 54 C2	1121
54	50	50 L L 50 54 C2	1217
54	60	50 L L 60 54 C2	1313
54	70	50 L L 70 54 C2	1398
54	80	50 L L 80 54 C2	1495
54	90	50 L L 90 54 C2	1592
54	100	50 L L 100 54 C2	1698



Shaped Cut Out in top Drawer for waste



-	-	CODE	CA.SA.S	£ 74	£ 94
---	---	-------------	---------	-------------	-------------

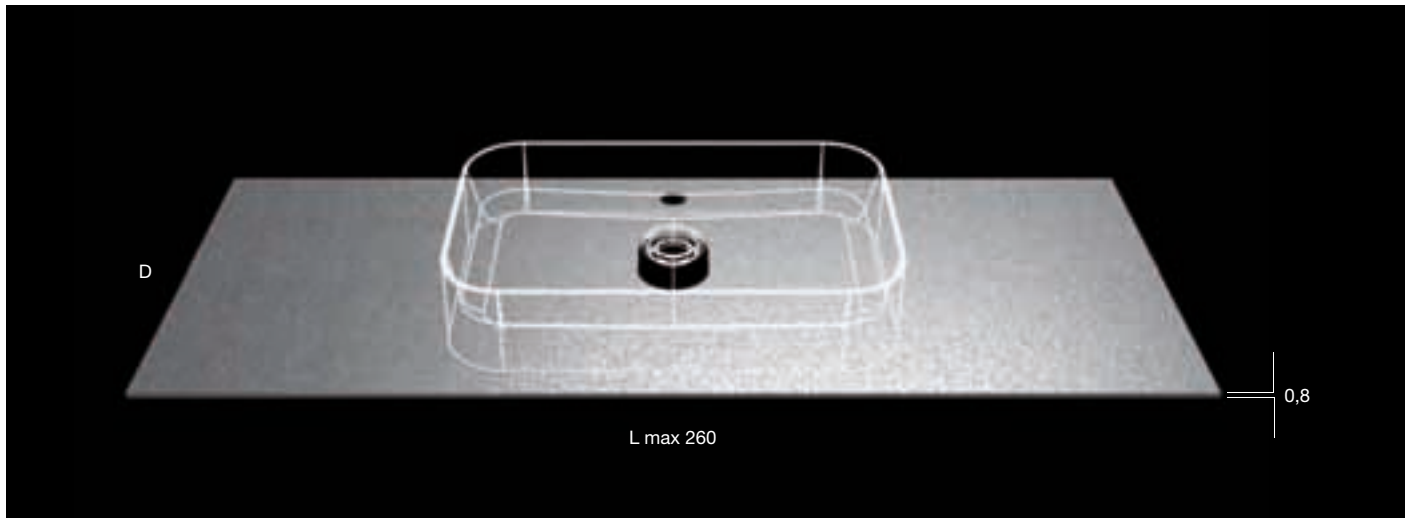


side panels pair			LAMINAM
D 54	50 FF LA 54	-	£ 234

Top for countertop basins Thickness. 0,8

Measurements(CM)

Price Including VAT



TOP

D	L	CODE	Price Group	
			£	
			A	B
45 / 50	70	LA T 070 45	383	447
45 / 50	80	LA T 080 45	425	501
45 / 50	90	LA T 090 45	479	554
45 / 50	100	LA T 100 45	532	618
45 / 50	110	LA T 110 45	586	682
45 / 50	120	LA T 120 45	639	746
45 / 50	130	LA T 130 45	704	811
45 / 50	140	LA T 140 45	768	875
45 / 50	150	LA T 150 45	832	939
45 / 50	160	LA T 160 45	896	1003
45 / 50	170	LA T 170 45	960	1067
45 / 50	180	LA T 180 45	1025	1132
45 / 50	190	LA T 190 45	1099	1206
45 / 50	200	LA T 200 45	1174	1281
45 / 50	> 200	LA T CM 45 V	+ £ 8 x cm	+ £ 9 x cm

D	L	CODE	Price Group	
			£	
			A	B
54	70	LA T 070 54	425	501
54	80	LA T 080 54	479	564
54	90	LA T 090 54	532	629
54	100	LA T 100 54	586	693
54	110	LA T 110 54	639	757
54	120	LA T 120 54	693	821
54	130	LA T 130 54	746	885
54	140	LA T 140 54	811	960
54	150	LA T 150 54	875	1025
54	160	LA T 160 54	950	1099
54	170	LA T 170 54	1025	1174
54	180	LA T 180 54	1099	1249
54	190	LA T 190 54	1174	1335
54	200	LA T 200 54	1249	1420
54	> 200	LA T CM 45 V	+ £ 9 x cm	+ £ 10 x cm

Tap Hole Ø 35 mm (Each) £ 32

Custom Shaped Holes (Each) £ 74

Waste Hole Ø 50/120 mm (Each) £ 52

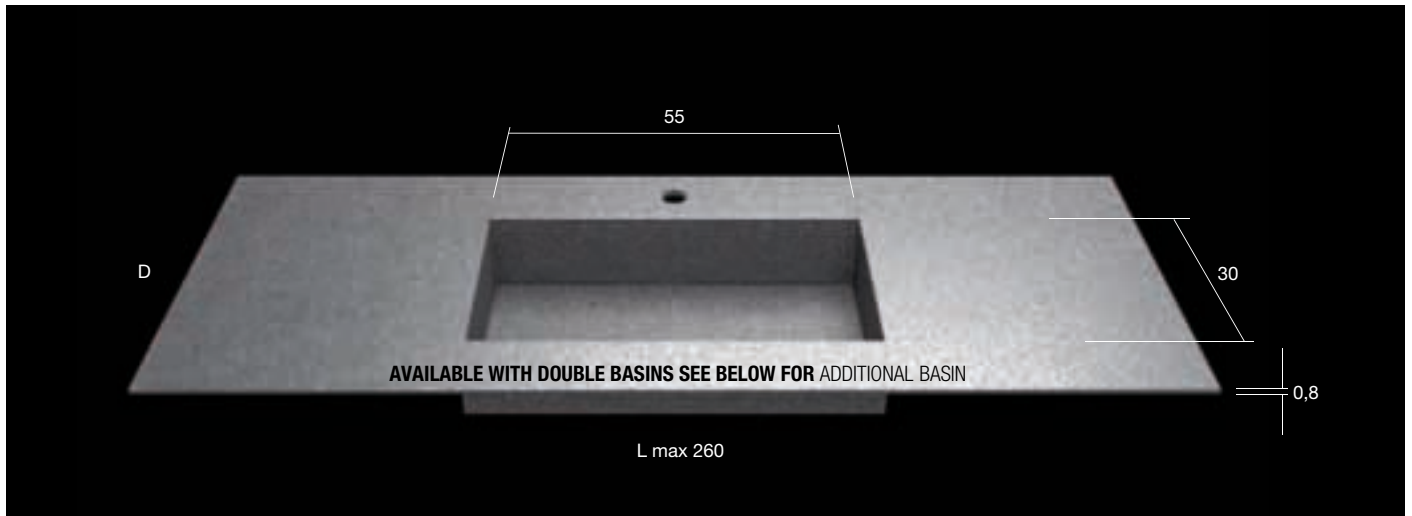
Hole for under Mounted Basin(Each) £ 188

Top with one intergrated Laminam basin. thickness 0,8

Basin has a free flow waste slot at back

Measurements(CM)

Price Including VAT



D	L	CODE	Price Group	
			£	
			A	B
45 / 50	80	LA T 080 45 V	1228	1335
45 / 50	90	LA T 090 45 V	1281	1388
45 / 50	100	LA T 100 45 V	1335	1442
45 / 50	110	LA T 110 45 V	1388	1495
45 / 50	120	LA T 120 45 V	1442	1560
45 / 50	130	LA T 130 45 V	1495	1624
45 / 50	140	LA T 140 45 V	1549	1688
45 / 50	150	LA T 150 45 V	1602	1752
45 / 50	160	LA T 160 45 V	1667	1816
45 / 50	170	LA T 170 45 V	1731	1881
45 / 50	180	LA T 180 45 V	1795	1955
45 / 50	190	LA T 190 45 V	1859	2030
45 / 50	200	LA T 200 45 V	1923	2105
45 / 50	> 200	LA T CM 45 V	+ £ 8 x cm	+ £ 9 x cm

D	L	CODE	Price Group	
			£	
			A	B
54	80	LA T 080 54 V	1281	1410
54	90	LA T 090 54 V	1335	1463
54	100	LA T 100 54 V	1388	1527
54	110	LA T 110 54 V	1442	1592
54	120	LA T 120 54 V	1495	1656
54	130	LA T 130 54 V	1549	1720
54	140	LA T 140 54 V	1602	1784
54	150	LA T 150 54 V	1656	1859
54	160	LA T 160 54 V	1709	1923
54	170	LA T 170 54 V	1774	1998
54	180	LA T 180 54 V	1838	2073
54	190	LA T 190 54 V	1914	2159
54	200	LA T 200 54 V	1988	2234
54	> 200	LA T CM 54 V	+ £ 9 x cm	+ £ 10 x cm

PLEASE NOTE

TOPS DEPTH 45 / 50 DO NOT ACCEPT TAP HOLE AS BASIN TOO CLOSE FOR PIPES WALL TAPS SHOULD BE USED

PLEASE NOTE

TOPS DEPTH 54 ACCEPT TAP HOLES AT BACK PRICE PER HOLE £32

ADDITIONAL BASIN

Price Group

£

A

B

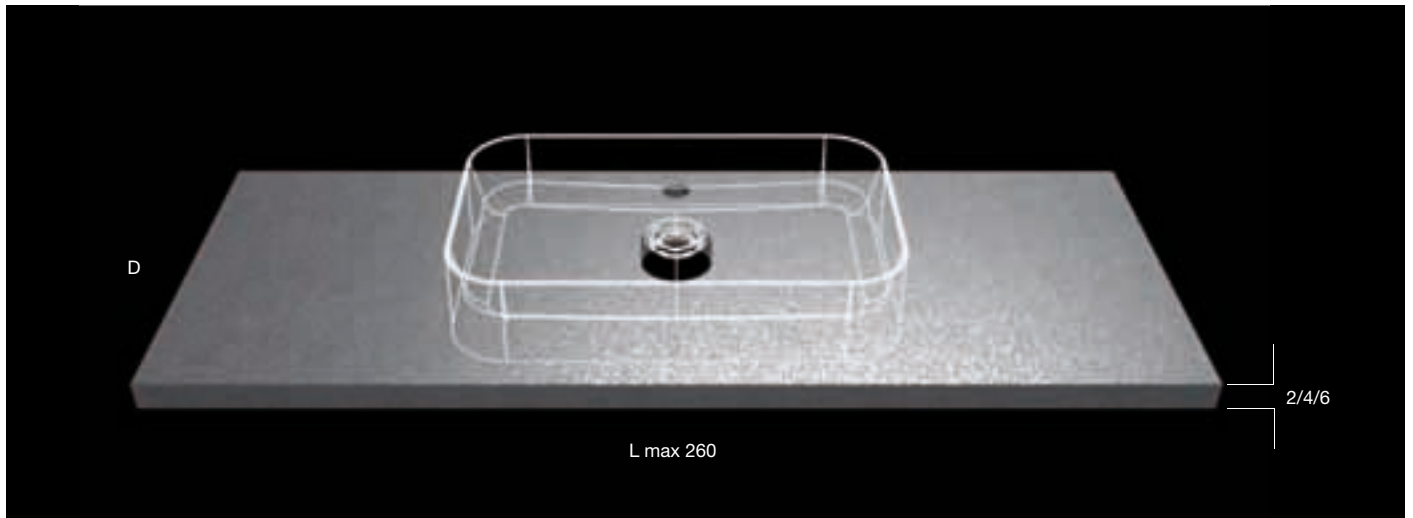
798

843

Top for countertop basins.thickness 2 - 4 - 6 cm

Measurements(CM)

Price Including VAT



D	L	CODE	Price Group	
			£	
			A	B
45 / 50	70	4 LA T 070 45	746	801
45 / 50	80	4 LA T 080 45	811	875
45 / 50	90	4 LA T 090 45	875	950
45 / 50	100	4 LA T 100 45	939	1025
45 / 50	110	4 LA T 110 45	1014	1099
45 / 50	120	4 LA T 120 45	1089	1175
45 / 50	130	4 LA T 130 45	1164	1260
45 / 50	140	4 LA T 140 45	1239	1335
45 / 50	150	4 LA T 150 45	1313	1420
45 / 50	160	4 LA T 160 45	1388	1495
45 / 50	170	4 LA T 170 45	1463	1570
45 / 50	180	4 LA T 180 45	1538	1656
45 / 50	190	4 LA T 190 45	1624	1743
45 / 50	200	4 LA T 200 45	1709	1838
45 / 50	> 200	4 LA T CM 45	+ £ 9 x cm	+ £ 10 x cm

D	L	CODE	Price Group	
			£	
			A	B
54	70	4 LA T 070 54	801	875
54	80	4 LA T 080 54	864	960
54	90	4 LA T 090 54	939	1046
54	100	4 LA T 100 54	1014	1132
54	110	4 LA T 110 54	1089	1217
54	120	4 LA T 120 54	1164	1303
54	130	4 LA T 130 54	1239	1388
54	140	4 LA T 140 54	1314	1474
54	150	4 LA T 150 54	1388	1560
54	160	4 LA T 160 54	1463	1645
54	170	4 LA T 170 54	1549	1741
54	180	4 LA T 180 54	1634	1838
54	190	4 LA T 190 54	1731	1945
54	200	4 LA T 200 54	1816	2052
54	> 200	4 LA T CM 54	+ £ 10 x cm	+ £ 11 x cm

Tap Hole Ø 35 mm (Each) £ 32

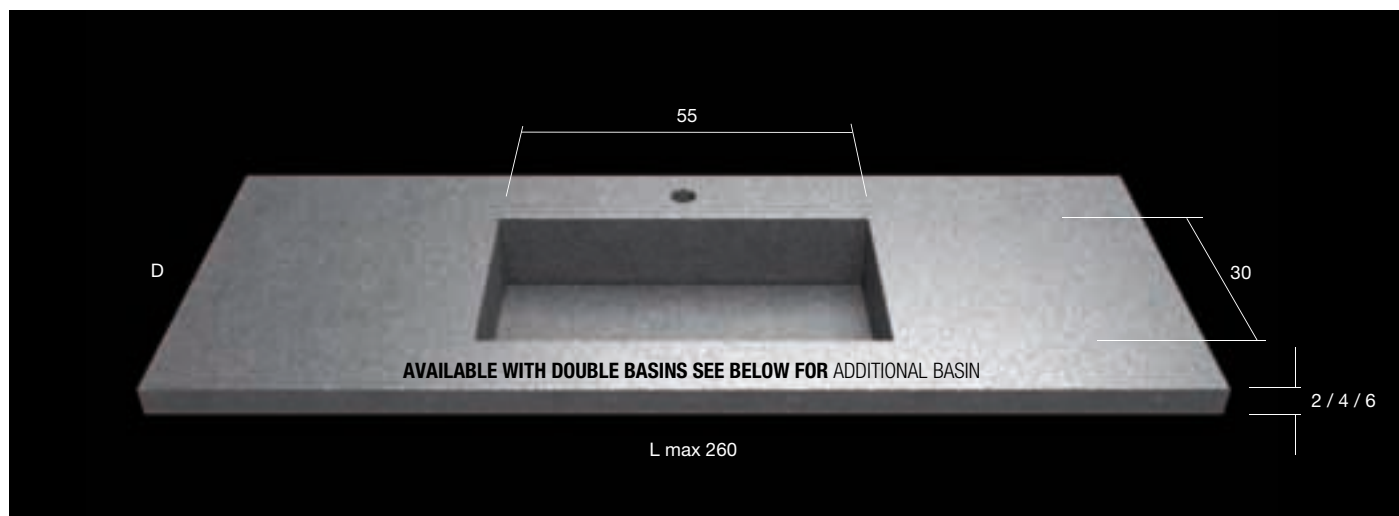
Custom Shaped Holes (Each) £ 74

Waste Hole Ø 50/120 mm (Each) £ 52

Hole for under Mounted Basin(Each) £ 226

Top with one intergrated Laminam basin. thickness 2-4-6 cm

Basin has a free flow waste slot at back (Available with Two Basins)



D	L	CODE	Price Group	
			£	
			A	B
45 / 50	80	4 LA T 080 45 V	1602	1709
45 / 50	90	4 LA T 090 45 V	1674	1795
45 / 50	100	4 LA T 100 45 V	1741	1881
45 / 50	110	4 LA T 110 45 V	1816	1955
45 / 50	120	4 LA T 120 45 V	1891	2030
45 / 50	130	4 LA T 130 45 V	1966	2105
45 / 50	140	4 LA T 140 45 V	2030	2191
45 / 50	150	4 LA T 150 45 V	2105	2276
45 / 50	160	4 LA T 160 45 V	2180	2351
45 / 50	170	4 LA T 170 45 V	2266	2437
45 / 50	180	4 LA T 180 45 V	2351	2523
45 / 50	190	4 LA T 190 45 V	2437	2619
45 / 50	200	4 LA T 200 45 V	2523	2715

D	L	CODE	Price Group	
			£	
			A	B
54	80	4 LA T 080 54 V	1657	1795
54	90	4 LA T 090 54 V	1731	1881
54	100	4 LA T 100 54 V	1816	1966
54	110	4 LA T 110 54 V	1891	2052
54	120	4 LA T 120 54 V	1967	2137
54	130	4 LA T 130 54 V	2031	2234
54	140	4 LA T 140 54 V	2116	2319
54	150	4 LA T 150 54 V	2191	2405
54	160	4 LA T 160 54 V	2276	2501
54	170	4 LA T 170 54 V	2351	2597
54	180	4 LA T 180 54 V	2437	2694
54	190	4 LA T 190 54 V	2533	2801
54	200	4 LA T 200 54 V	2630	2908

45 / 50	> 200	4 LA T CM 45 V	+ £ 9 x cm	+ £ 10 x cm
---------	-------	----------------	------------	-------------

54	> 200	4 LA T CM 54 V	+ £ 10 x cm	+ £ 11 x cm
----	-------	----------------	-------------	-------------

PLEASE NOTE
 TOPS DEPTH 45 / 50 DO NOT ACCEPT TAP HOLE AS BASIN TOO CLOSE FOR PIPES WALL TAPS SHOULD BE USED

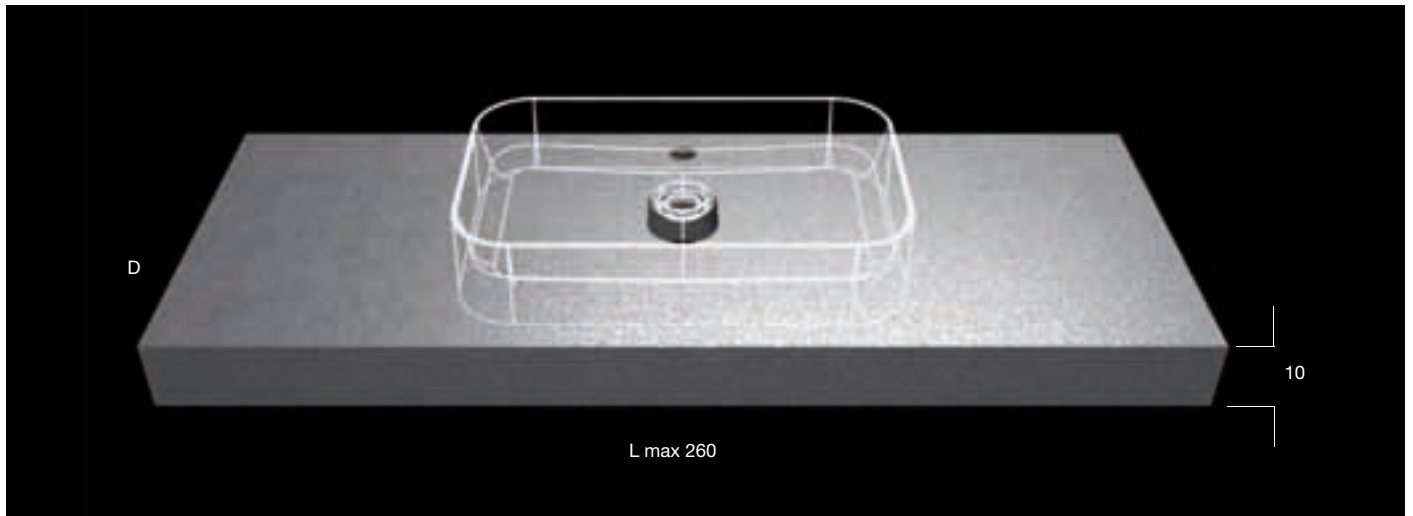
PLEASE NOTE
 TOPS DEPTH 54 ACCEPT TAP HOLES AT BACK PRICE PER HOLE £32

ADDITIONAL BASIN	Price Group	
	£	
	A	B
	798	843

Top for countertop basins Thickness. 10 cm

Measurements(CM)

Price Including VAT



D	L	CODE	Price Group	
			£	
			A	B
45 / 50	80	10 LA T 080 45	853	928
45 / 50	90	10 LA T 090 45	928	1014
45 / 50	100	10 LA T 100 45	1003	1099
45 / 50	110	10 LA T 110 45	1067	1185
45 / 50	120	10 LA T 120 45	1132	1271
45 / 50	130	10 LA T 130 45	1206	1356
45 / 50	140	10 LA T 140 45	1281	1442
45 / 50	150	10 LA T 150 45	1356	1527
45 / 50	160	10 LA T 160 45	1442	1624
45 / 50	170	10 LA T 170 45	1527	1720
45 / 50	180	10 LA T 180 45	1613	1816
45 / 50	190	10 LA T 190 45	1709	1913
45 / 50	200	10 LA T 200 45	1806	2020
45 / 50	> 200	10 LA T CM 45	+ £ 10 x cm	+ £ 11 x cm

D	L	CODE	Price Group	
			£	
			A	B
54	80	10 LA T 080 54	950	1046
54	90	10 LA T 090 54	1035	1142
54	100	10 LA T 100 54	1110	1239
54	110	10 LA T 110 54	1196	1335
54	120	10 LA T 120 54	1292	1431
54	130	10 LA T 130 54	1378	1527
54	140	10 LA T 140 54	1463	1624
54	150	10 LA T 150 54	1549	1731
54	160	10 LA T 160 54	1645	1838
54	170	10 LA T 170 54	1741	1945
54	180	10 LA T 180 54	1838	2052
54	190	10 LA T 190 54	1934	2169
54	200	10 LA T 200 54	2030	2180
54	> 200	10 LA T CM 54	+ £ 12 x cm	+ £ 14 x cm

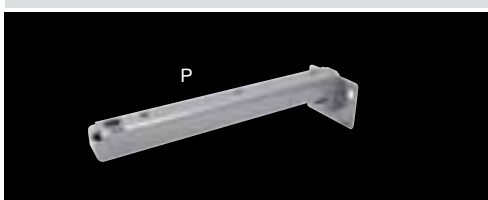
Tap Hole Ø 35 mm (Each) £ 32

Custom Shaped Holes (Each) £ 74

Waste Hole Ø 50/120 mm (Each) £ 52

Hole for under Mounted Basin(Each) £ 226

Hidden bracket for top H 6/12 cm 4xRequired for tops over 120cm



D	CODE	£ EACH
45	ST.GOST.45	32
54	ST.GOST.54	34

Top with one intergrated Laminam basin.thickness 10 cm

Basin has a free flow waste slot at back



D	L	CODE	Price Group	
			£	
			A	B
45 / 50	80	10 LA T 080 45 V	1698	1784
45 / 50	90	10 LA T 090 45 V	1731	1859
45 / 50	100	10 LA T 100 45 V	1795	1945
45 / 50	110	10 LA T 110 45 V	1859	2030
45 / 50	120	10 LA T 120 45 V	1923	2116
45 / 50	130	10 LA T 130 45 V	1998	2212
45 / 50	140	10 LA T 140 45 V	2084	2298
45 / 50	150	10 LA T 150 45 V	2159	2383
45 / 50	160	10 LA T 160 45 V	2244	2480
45 / 50	170	10 LA T 170 45 V	2330	2565
45 / 50	180	10 LA T 180 45 V	2416	2662
45 / 50	190	10 LA T 190 45 V	2501	2758
45 / 50	200	10 LA T 200 45 V	2587	2854
45 / 50	> 200	10 LA T CM 45 V	+ £ 10 x cm	+ £ 11 x cm

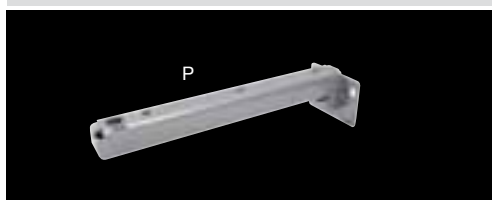
D	L	CODE	Price Group	
			£	
			A	B
54	80	10 LA T 080 54 V	1752	1891
54	90	10 LA T 090 54 V	1838	1988
54	100	10 LA T 100 54 V	1913	2084
54	110	10 LA T 110 54 V	1998	2180
54	120	10 LA T 120 54 V	2084	2276
54	130	10 LA T 130 54 V	2180	2373
54	140	10 LA T 140 54 V	2266	2480
54	150	10 LA T 150 54 V	2351	2587
54	160	10 LA T 160 54 V	2448	2694
54	170	10 LA T 170 54 V	2544	2801
54	180	10 LA T 180 54 V	2640	2908
54	190	10 LA T 190 54 V	2737	3015
54	200	10 LA T 200 54 V	2833	3122
54	> 200	10 LA T CM 54 V	+ £ 12 x cm	+ £ 14 x cm

PLEASE NOTE
 TOPS DEPTH 45 / 50 DO NOT ACCEPT TAP HOLE AS BASIN TOO CLOSE FOR PIPES
 WALL TAPS SHOULD BE USED

PLEASE NOTE
 TOPS DEPTH 54 ACCEPT TAP HOLES AT BACK PRICE PER HOLE £32

ADDITIONAL BASIN	Price Group	
	£	
	A	B
	798	843

Hidden bracket for top H 6/12 cm 4xRequired for tops over 120cm



D	CODE	£ EACH
45	ST.GOST.45	32
54	ST.GOST.54	34



Stonewood UK LTD 3-5 Buxton Road, Hazel Grove, Stockport, Cheshire, SK7 6AD
TEL 01614839120 Email: sales@stonewood.uk.com