

stonewood[®]
inspiring living space

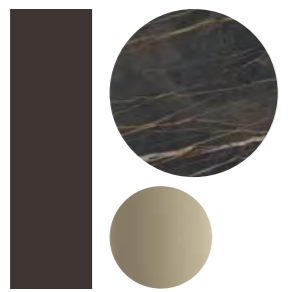
CANNE FURNITURE
COLLECTION
2021

stonewood®

Canne.

Canne. COMP. 01

PRECIOUS and WELCOMING
... but at the same time rigorous and rational, with
an exciting play of lights between the LUX4 mirrors
and the wall unit, ... free your creativity.



L025M Grey Brown matt lacquer
gres Noir Desir shiny
ART brass







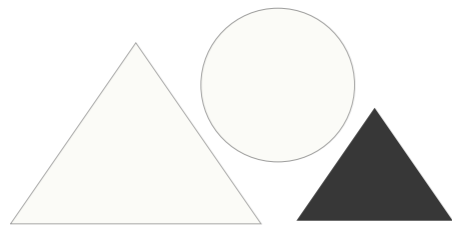
Dark but not cold, embellished by the ART brass handles, the VERTIGO front panel effectively matches the finish of the Gres top.



A precious game of warm and exclusive shades, between top, cabinet and mixer.

Canne. COMP. 02

RATIONAL and ELEGANT
An environment which, thanks to the vertical movement of the VERTIGO front panel, creates an ideal connection with the background walls.



L001M White matt
glossy White ceramic
black metal matt







Fine lines and large capacity for the ceramic washbasin, an example of practicality combined with winning design.

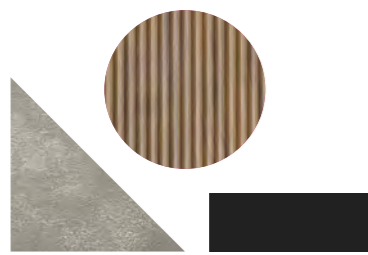


< The stop-sol glass creates a fascinating mirror effect, available as an option in these elements, also the interior lighting, with motion sensor ignition and delayed switch-off.



Canne. COMP. 03

SURFACES AND VOLUMES PLAY TOGETHER
Surprising and captivating the effect of the Vertigo fronts next to the black aluminium and stop-sol glass frames.



186X Dark Rockford polymeric
HPL H011 Oxide
black metal matt





018



< All elements with aluminium doors and stop-sol glass can be equipped with optional interior lighting.

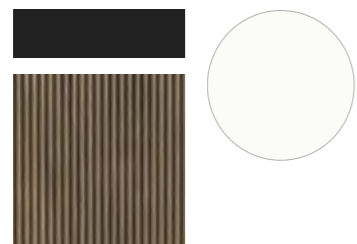


Minimalist design for the new Q line of accessories.

Canne. COMP. 04

INCASTED

The Vertigo cabinet looks like an element embedded in the WRAP solid surface washbasin.



189X Fruit Wood polymeric
Betacryl Solid Surface
black metal matt







Q Composite washbasin enveloping, an exclusive washbasin, with essential lines, captures the eye with its purity, remaining practical and usable in its exclusivity.



The Q washbasin conceals an exclusive towel rail function.



Canne. COMP. 05

WARM and WELCOME TONES
Even a uniblock takes on character and charm with
VERTIGO.



186X Dark Rockford polymeric
L009M Agate Grey matt lacquer
Ocritch White matt
black metal matt







Large bowls with well-defined edges. We always pay the utmost attention to combining design and practicality.

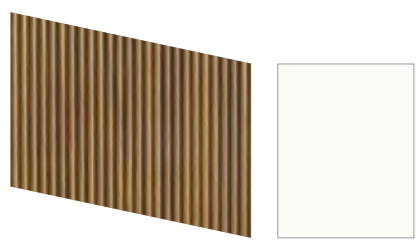


Flexible storage units complete our bathroom concept, leaving plenty of room for designers' design. The foot that ideally leads back to the handle, emphasizing the vertical momentum of the shapes of this model.



Canne. COMP. 06

ONEIRIC ATMOSPHERES
Extremely clean volumes, for furniture that speaks
for itself, expressing all its bursting elegance.



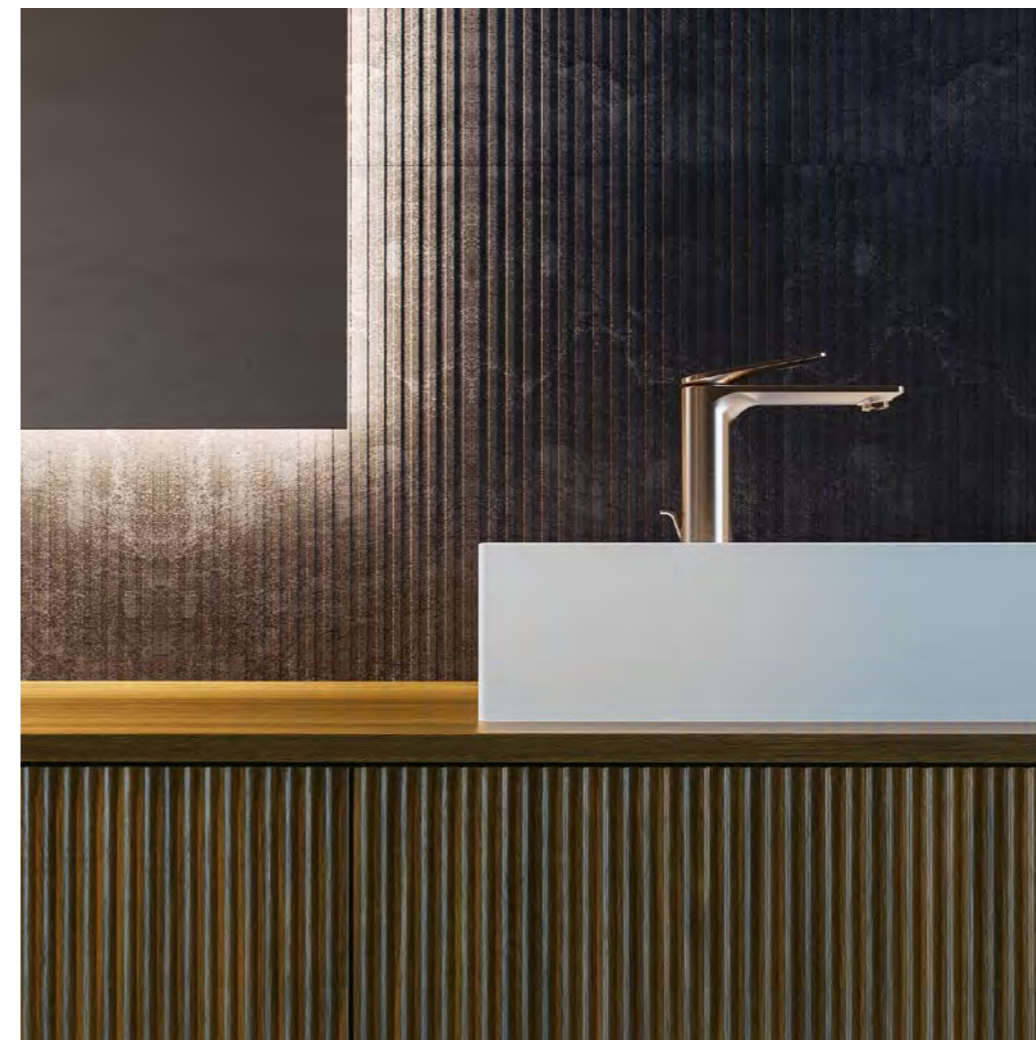
187X Bourbon Oak polymeric
matt White ceramic



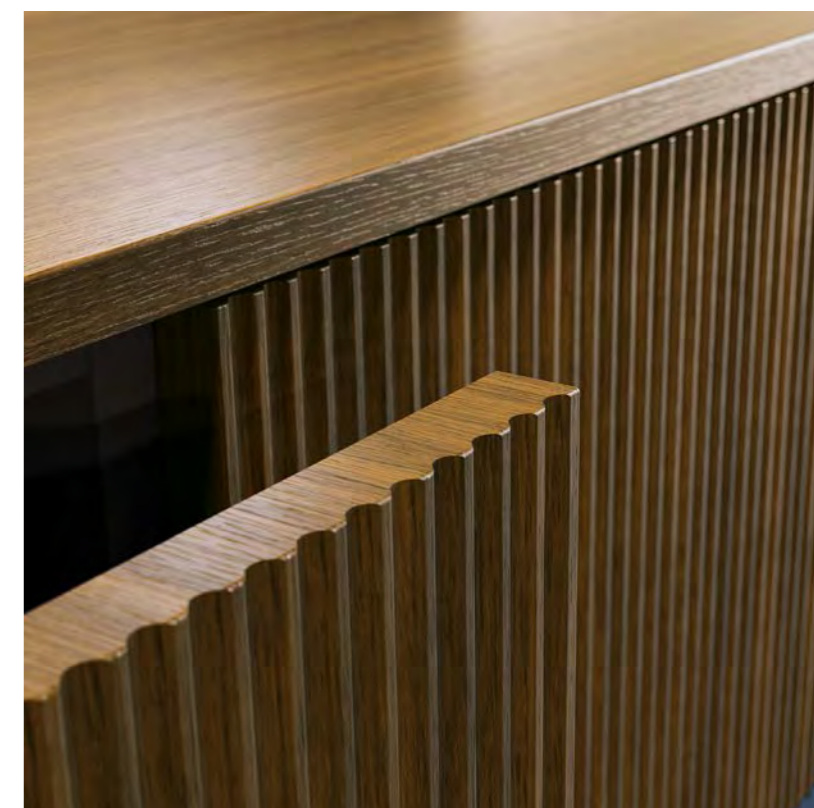




A pushed perspective, to highlight the shapes of the washbasin laying on the polymeric top.

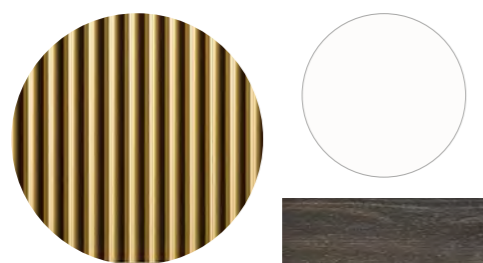


It looks like a work of artist this game of rigorous and geometric volumes. In these close-up details, the exclusive "canne" workmanship is highlighted.



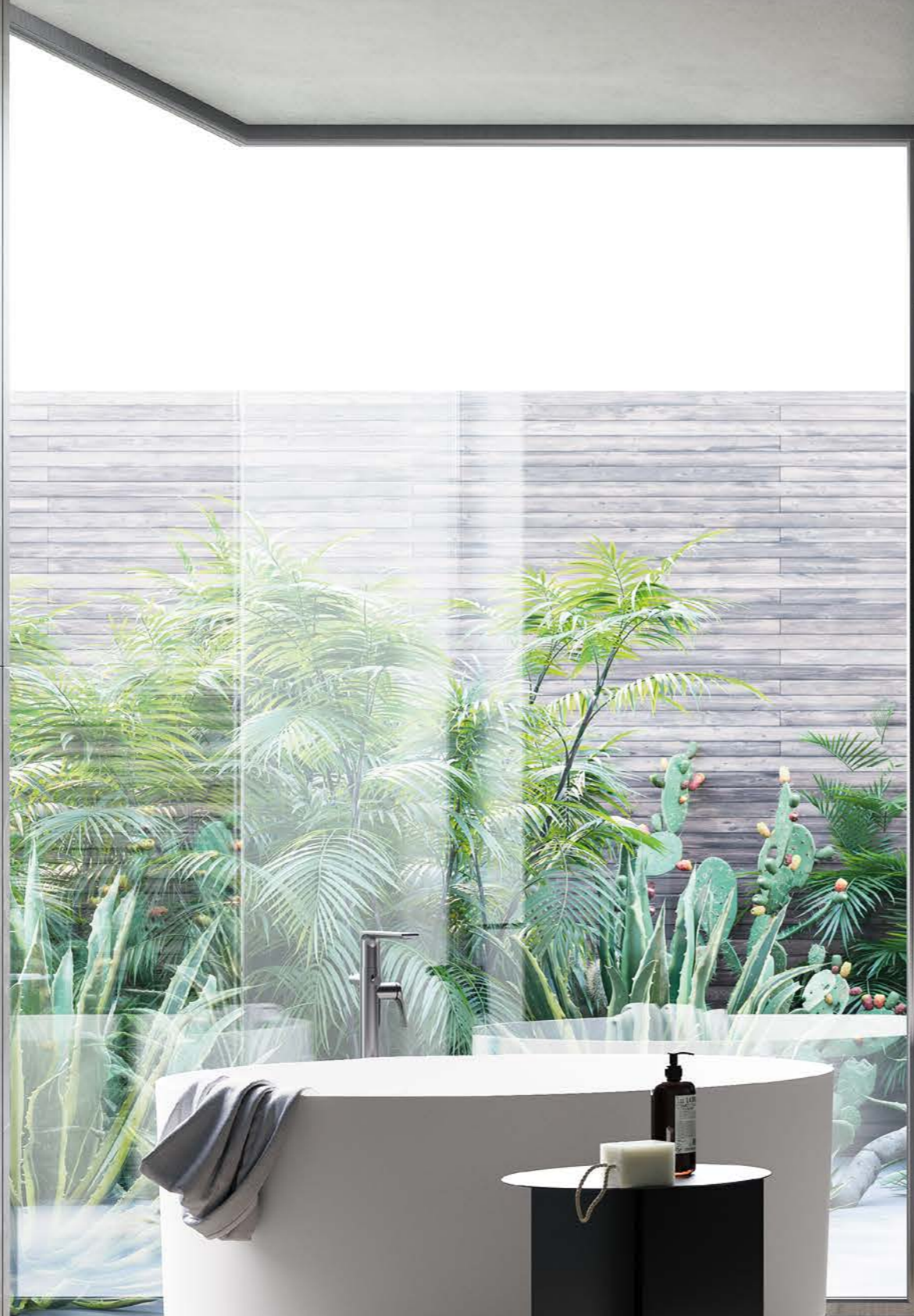
Canne. COMP. 07

JUST AS I LIKE YOU
Sophisticated and functional, an environment that
arouses feelings of relax and well-being.



Polymeric 184X Bronze Metallik
polymeric 188X Thermo A
Tecnoril matt White







advanced technologies allow the realization of these extraordinary polymeric boxed tops, a high performance product.

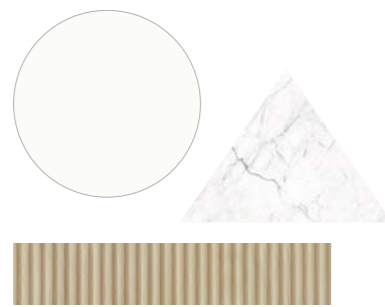
Almost an ornament, the washbasin lays on the surface of the Thermo A polymeric top.



Canne. COMP. 08

SCANDINAVIAN FLAVOUR

An environment, emphasized by the combination of light wood, the shades of white and Gres, fresh, young, ... very current.



183X Rovere Grain polymeric
L001MWhite matt lacquer
Gres Statuarietto







Like a set stone, the Statuarietto Gres top combines with the furniture. The open compartment in matt white emphasizes this effect even more.



An elegant two-level effect, thanks to the use of 12 and 60 mm shelves, characterizes this view, note the interesting VEGA tank with inspectionable drain.



Canne. COMP. 09

FRESH and LUMINOUS

In an environment suitable to highlight the geometries of the VERTIGO fronts, the Powder Grey lacquer of this composition elegantly matches the Cement shades of the Deimos top.



L012M Powder Grey matt lacquer
L006M Light Grey matt lacquer
Cement DEIMOS
black metal matt







< An intriguing perspective that highlights the play of volumes of the elements VERTIGO.



Drawers can be equipped with different elements with flexible compartments to organize their space in the most appropriate way.

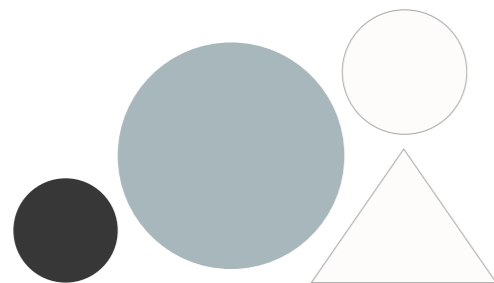


Canne. COMP. 10

ROOM FOR CREATIVITY

VERTIGO can become a decorative element, which, wisely dosed, creates extraordinary effects, merging with the other PUNTOTRE collections.

plays with the contrasts between gloss and matt.



L054M Mist matt lacquer
 L054M Mist glossy lacquer
 Tecnoril matt White
 black metal matt







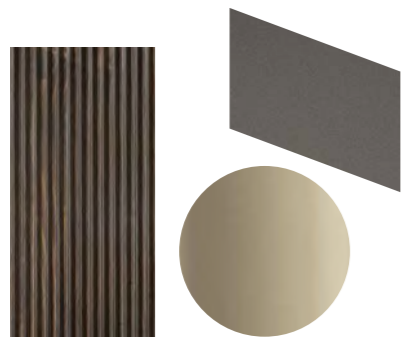
< In detail we appreciate the capacious Tecno top basin and the targeted contrast with the "total black" of the mixer unit, ideally connected to the handle.

A High Tech mirror, with matt black aluminium profile, which can be equipped with lighting and managed to various specifications, this is the new BLACK mirror.



Canne. COMP. 11

LUXURY and WARM
Compact but with a bursting image. In a dream environment, this composition, thanks to the push-pull opening of the fronts, keeps a rich piece of furniture essential.



188X Thermo A polymeric
ART brass
fumè glass







A rich but minimal design foot that fits in between the curves, here combined with optional finishing sides.



The SOL mirror is full of charm, made as standard in matt white, is available in brass and oxidized finishes.

Canne. COMP. 12

DECO' ATMOSPHERES

The grazing light enhances the play of tridimensional volumes of the VERTIGO fronts, while the OTTAGONO BIG mirror helps to strengthen the mix between modern and classic of this solution, inspired to ART.



L007M Silk Grey matt lacquer
Calacatta marble
ART brass







Note the elegance of natural stone with optional bevelled profile, a touch of exclusivity in a fascinating furniture.



Neoclassical lines also for the washbasin and the wall-mounted mixer, everything is aimed at a sophisticated environment..

A variation that denotes the versatility Canne programs, here Canne meets the new black aluminum and stop-sol glass fronts.

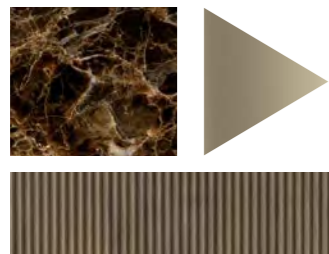


The PROFILE handle, the only option for aluminum fronts, creates an interplay of continuity with the reeded front.



Canne. COMP. 13

THE DAWN OF A NEW STYLE
Breathtakingly exciting, an exhilarating mix of
colours, shapes and light.



189X Fruit Wood polymeric
Gres Emperador
ART brass







minimal Emperador top is an exceptional solution for those who are looking for a product that is aesthetically appealing, but at the same time durable and practical.



The SPHERA mirror is wrapped in the shades of the aurora of the wall, like a rising sun.

Canne. COMP. 14

PROMPENT

The blue-green shades, give elegance and atmosphere to this environment, clean and fresh, but with an exciting and effective design.



L048M Blue Ocean matt lacquer
Blu Ocean glass
ART brass







An engaging perspective that enhances the lines of light created by LUX4 mirrors.

Glass, the first material used to create tops with integrated bowls, still remains the only one to guarantee an extremely wide range of shades, combined with exemplary practicality.

Two handles in comparison, CYLINDER in brass ART finish, set between the frontal processing, and PROFILE in matt black, which almost gets lost in the profile of the drawer.



Canne.

FINISHES

Our technology is capable to combine an attractive look, fronts, with the most advanced materials, such as polymers, mixing them with a wide choice of lacquered shades.

Metal.



184X BRONZE METALLIK

Polymeric Wood



187X BURBON OAK



188X THERMO A



186X DARK ROCKFORD

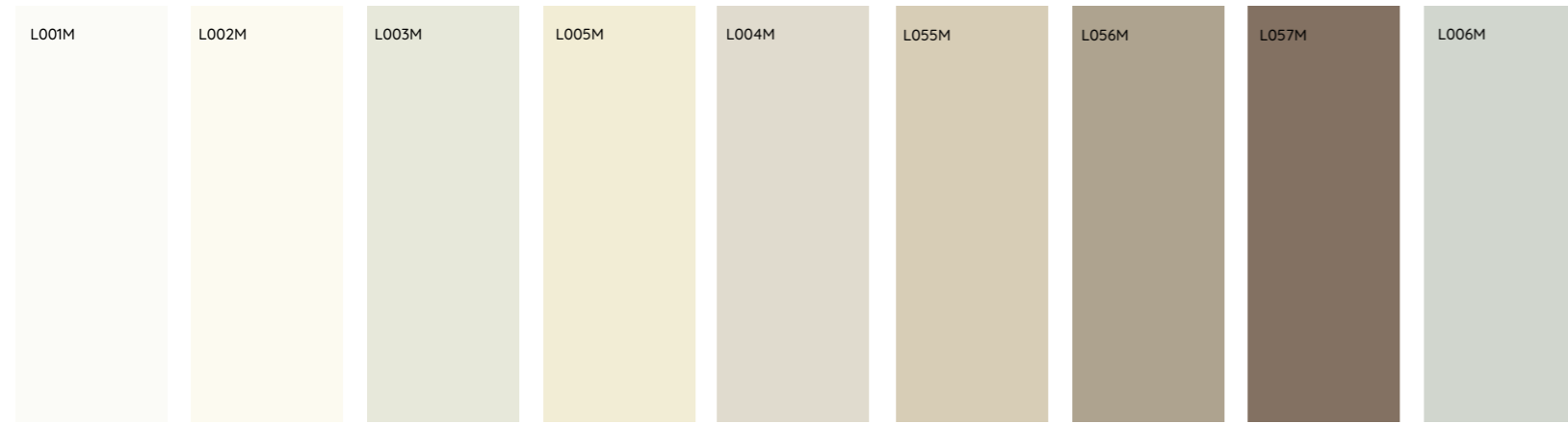


185X NATURAL GRAIN OAK

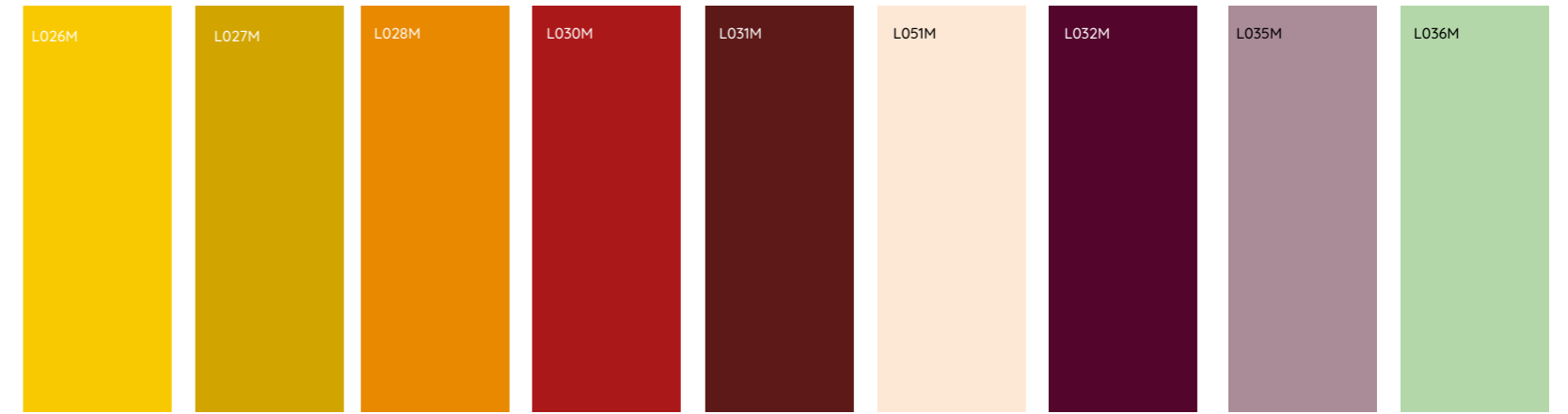


189X FRUIT WOOD

inis es att lac ue ed.



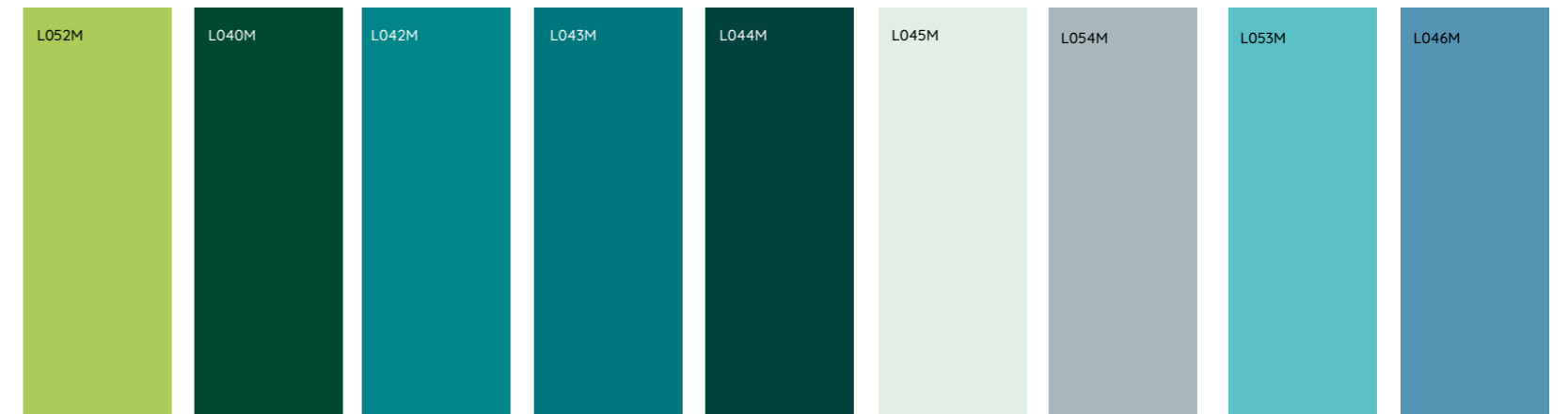
BASE WHITE PURE WHITE WHITE GREY OYSTER WHITE PERGAMON SAHARA CLAY MOLE LIGHT GREY



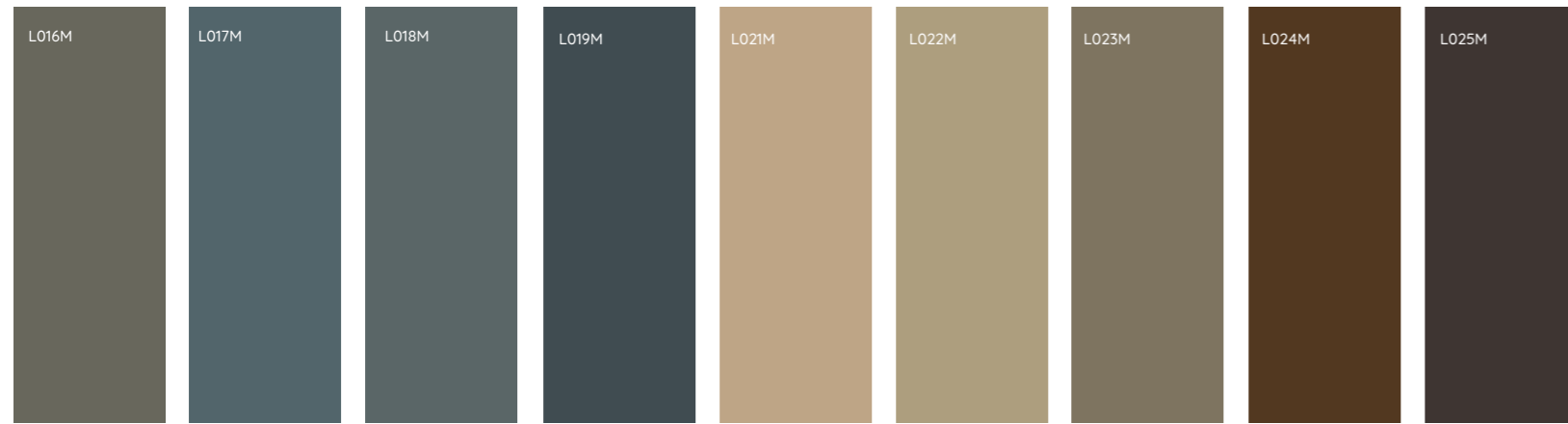
RAPE YELLOW HONEY YELLOW YELLOW ORANGE SIGNAL RED PURPLE RED POWDER PINK CLARET VIOLET PASTEL VIOLET PASTEL GREEN



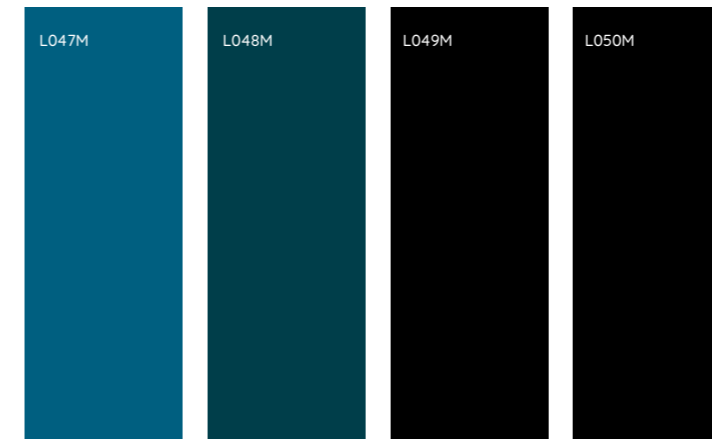
SILK GREY PEBBLE GREY AGATE GREY PATINUM GREY SIGNAL GREY DUSTY GREY STONE GREY CONCRETE GREY MOUSE GREY



LIME MOSS GREEN TURQUOISE BLUE WATER BLUE BLUE GREEN LIGHT MIST TIFFANY PASTEL BLUE



QUARTZ GREY BLUE GREY BASALT GREY GRAPHITE GREY TERRA BEIGE GREY BEIGE BEIGE GREY TERRA BROWN GREY BROWN



AZURE BLUE OCEAN BLUE GRAPHITE BLACK DEEP BLACK

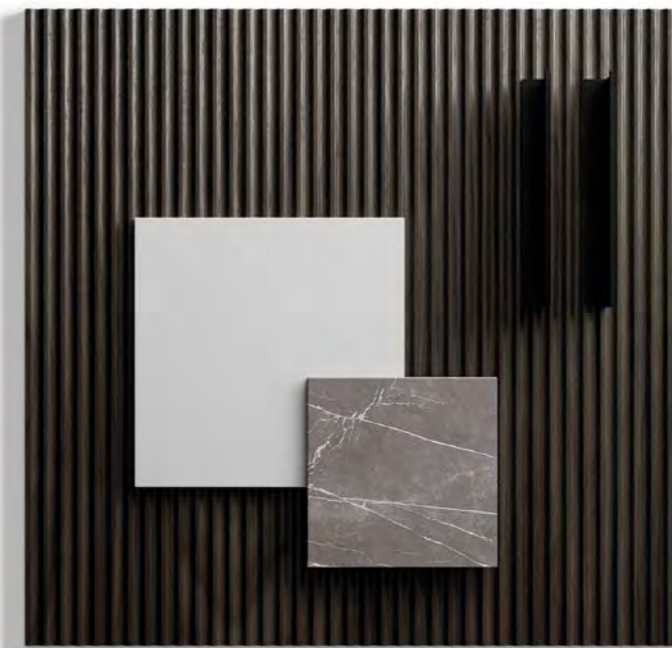
Recommended combinations.



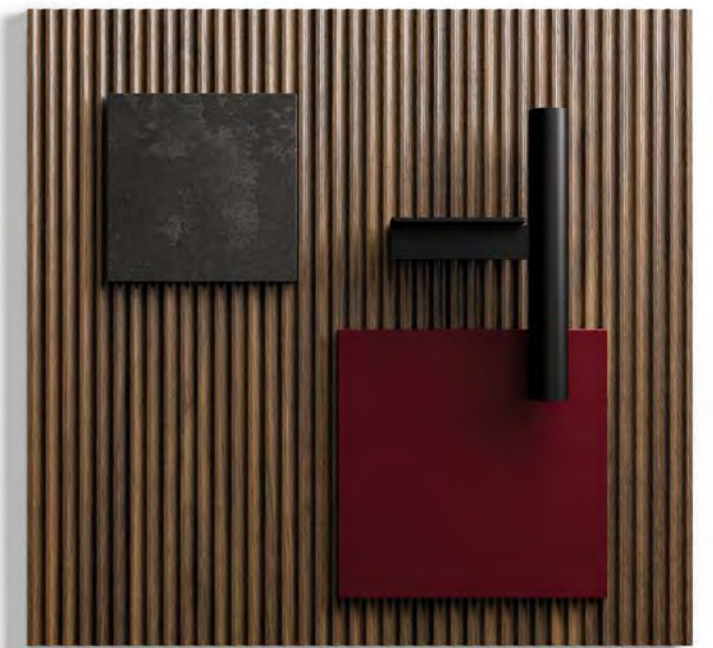
Polimerico 184X Bronze Metallik
L025M laccato marrone grigio opaco
Gres Emperador
Ottone satinato



Polimerico 183X Grain oak
L012M laccato grigio polvere opaco
Laminam Statuarietto opaco
metallo nero opaco



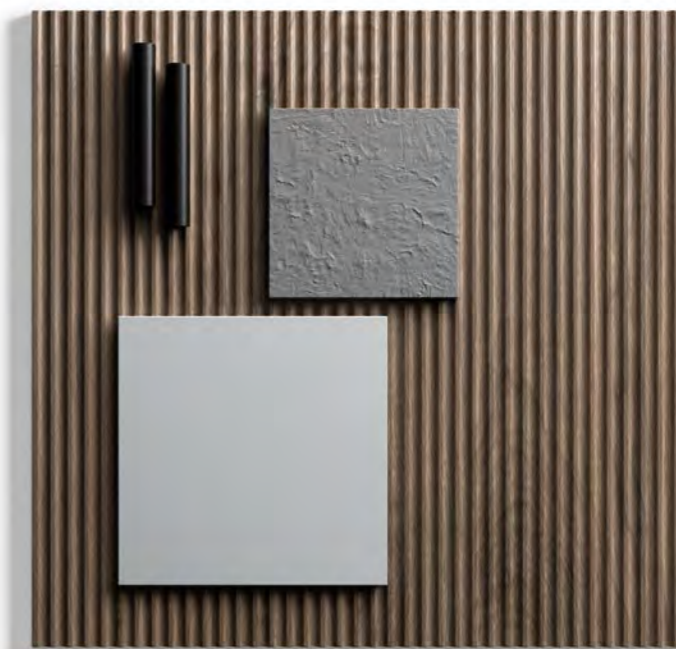
Polimerico 189X Fruit Wood
L003M laccato bianco grigio opaco
pietra grey
metallo nero opaco



Polimerico 187X Burbon oak
L031M laccato rosso porpora opaco
HPL Oxide
metallo nero opaco



Polimerico 188X Thermo A
L007M laccato grigio seta opaco
Laminam Nero Greco lucido
Ottone satinato



Polimerico 186X Dark Rockford
L006M laccato grigio luce opaco
Lava Cemento
metallo nero opaco



PUNTO TRE

96

COLLEZIONE VERTIGO

Canne.

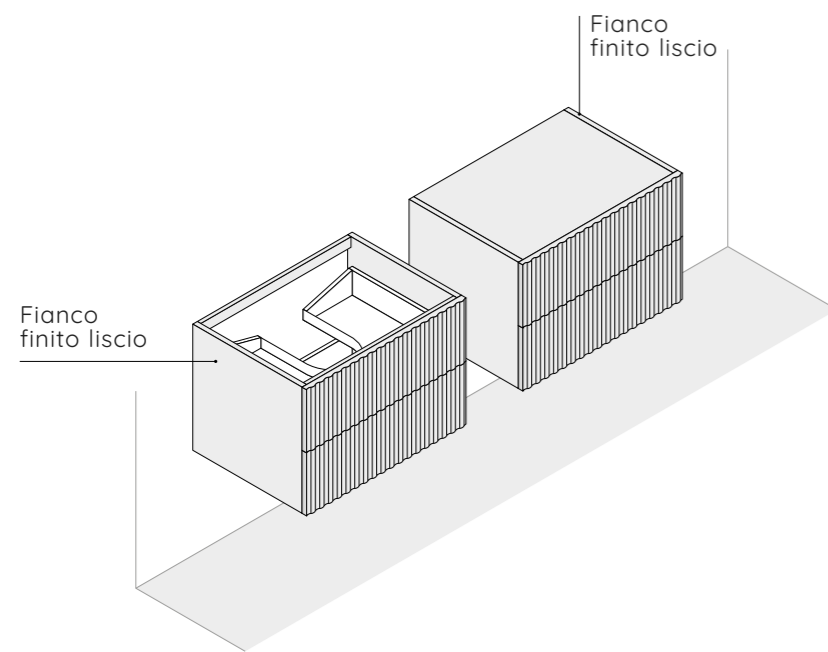
TECHNICAL DETAILS

An intriguing series that teases the creativity of designers with engaging lines and highly flexible design.

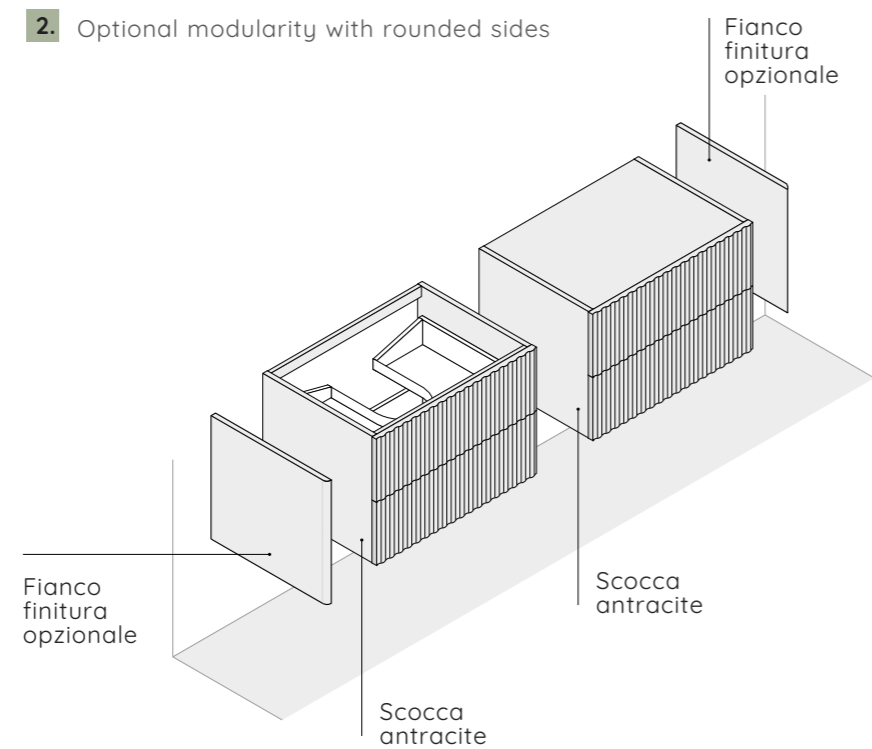
Furniture Options.

The Vertigo model can also be combined with Modula, Le cornici e componibile Sistema Maniglia elements, only in the finishes proposed for these elements. See General price list in the relevant sections.

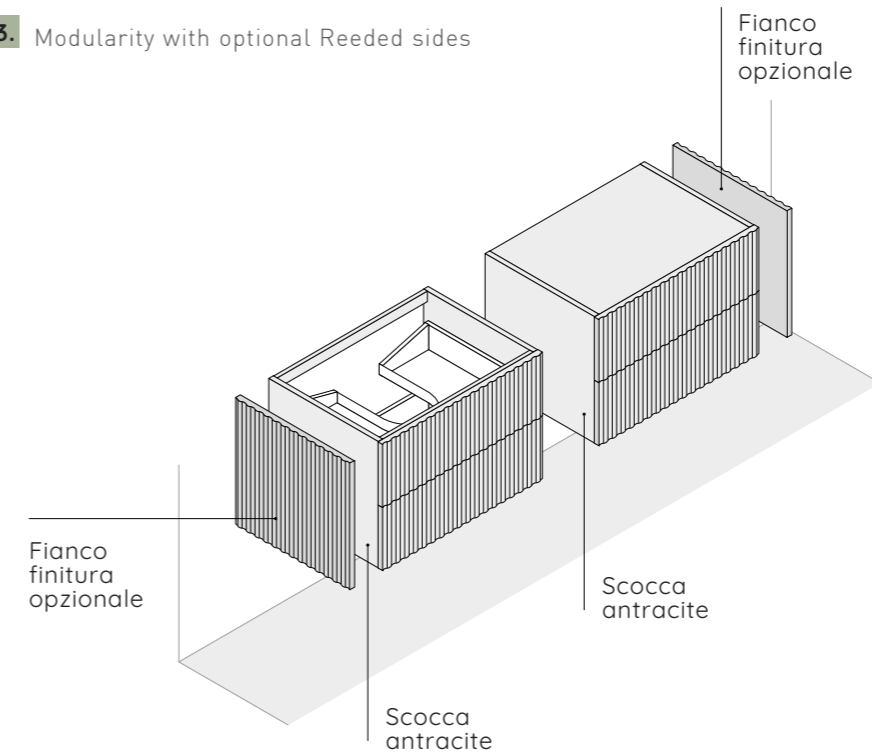
1. Simple modularity (smooth carcass, same finish)



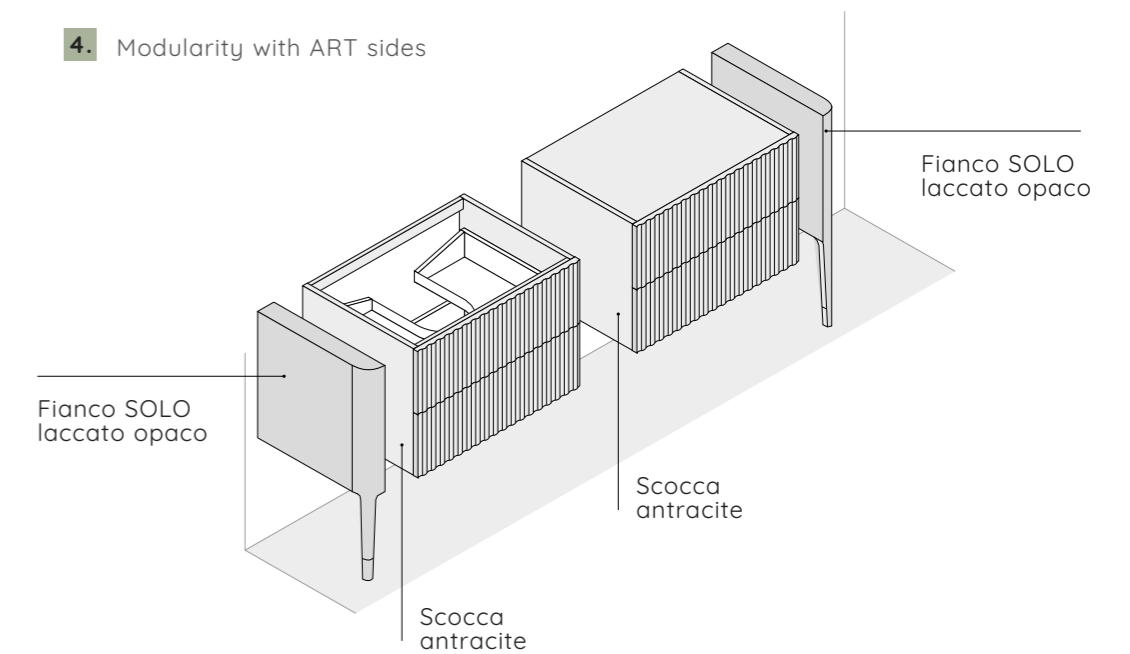
2. Optional modularity with rounded sides



3. Modularity with optional Reeded sides

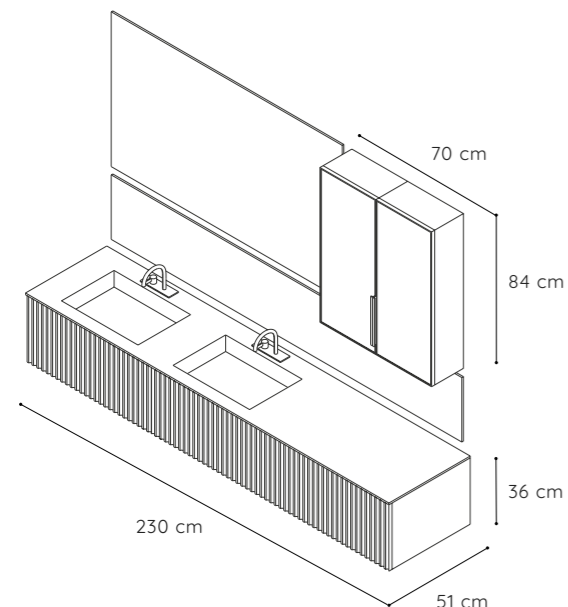


4. Modularity with ART sides



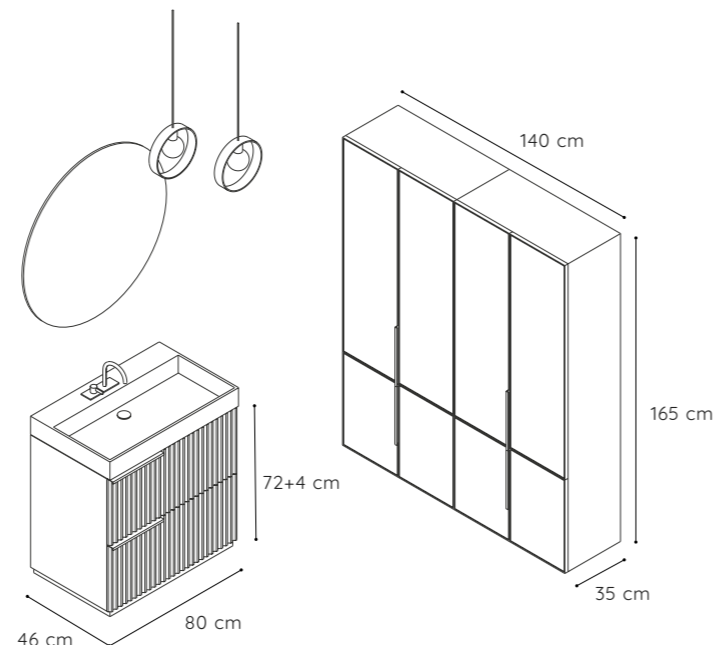
List of Brochure Settings.

Comp list



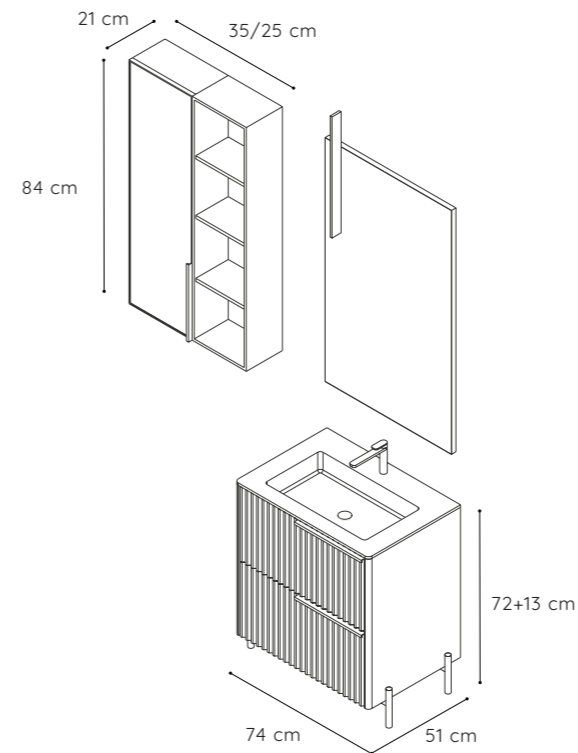
Finiture
Laccato L025M Grigio Marrone opaco
Gres Noir Desir lucido
Ottone ART

Comp
01
Pag.
04/09



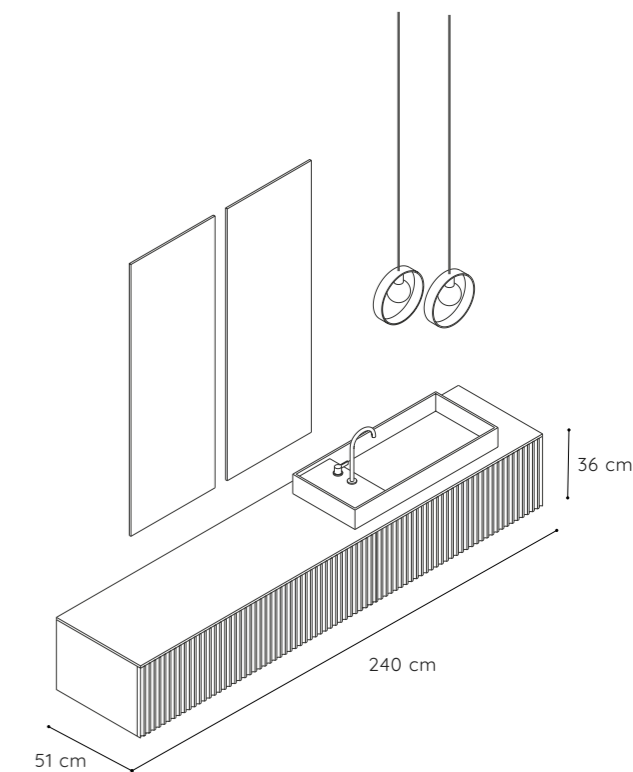
Finiture
Laccato L001M Bianco opaco
Ceramica Bianco lucido
Metallo nero opaco

Comp
02
Pag.
10/15



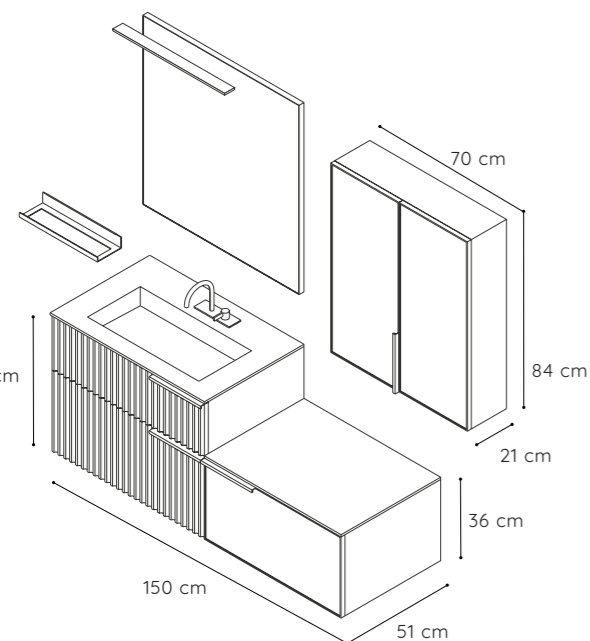
Finiture
polimerico 186X Dark Rockford
laccato L009M Grigio Agata opaco
Ocritch Opaco
metallo nero opaco

Comp
05
Pag.
28/33



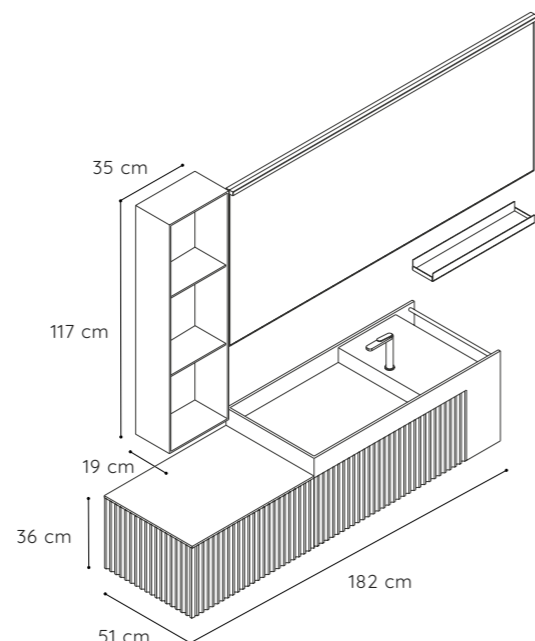
Finiture
polimerico 187X Bourbon Oak
ceramica Bianco opaco

Comp
06
Pag.
34/39



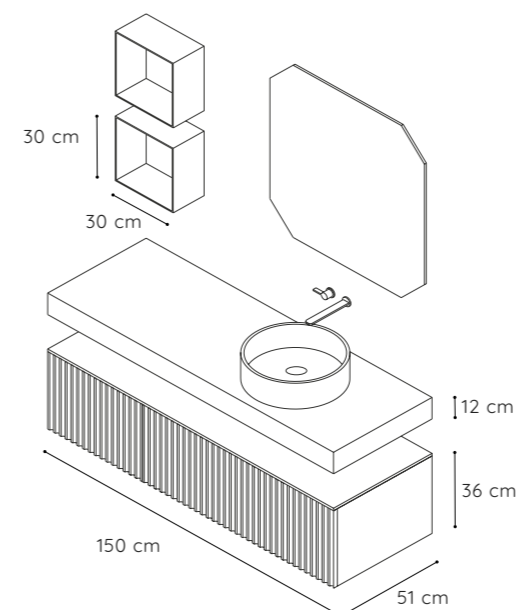
Finiture
polimerico 186X Dark Rockford
HPL H011 Ossido
metallo nero opaco

Comp
03
Pag.
16/21



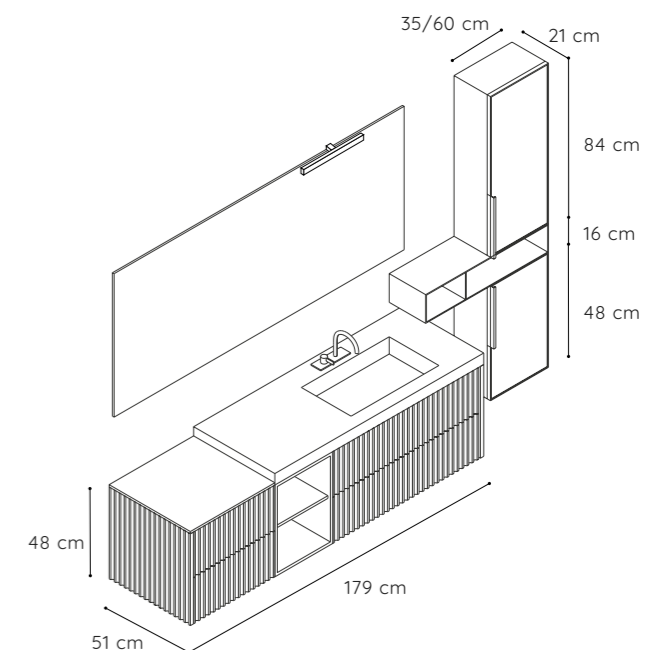
Finiture
polimerico 189X Fruit Wood
Betacryl Solid Surface
metallo nero opaco

Comp
04
Pag.
22/27



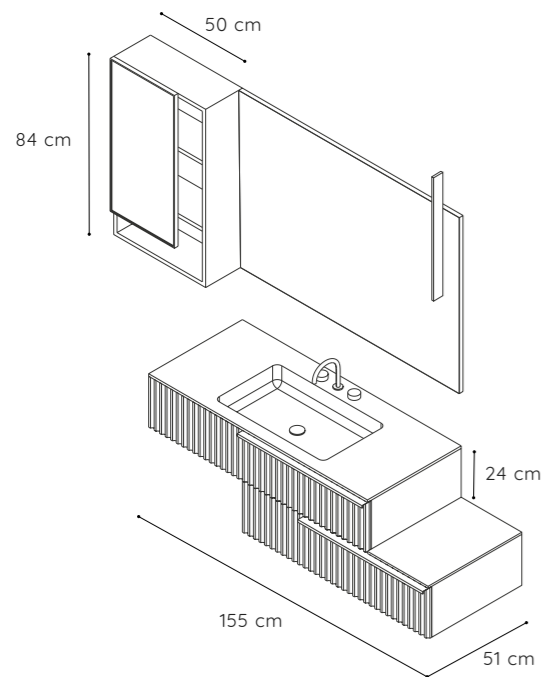
Finiture
polimerico 184X Bronze Metallik
polimerico 188X Thermo A
Tecnoril opaco

Comp
07
Pag.
40/45



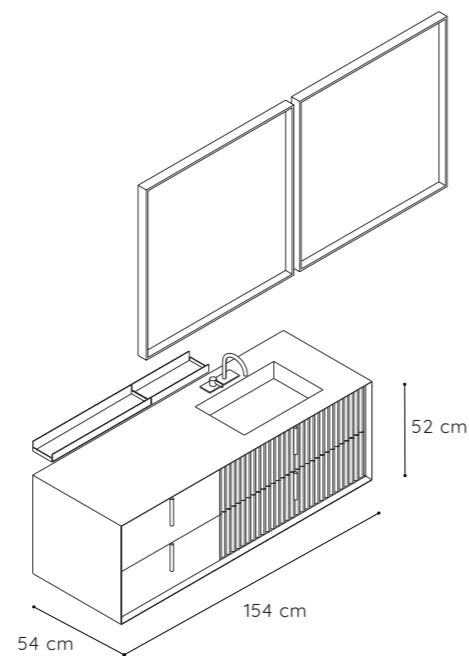
Finiture
polimerico 183X Rovere Grain
laccato L001M Bianco opaco
Gres Statuarietto

Comp
08
Pag.
46/51



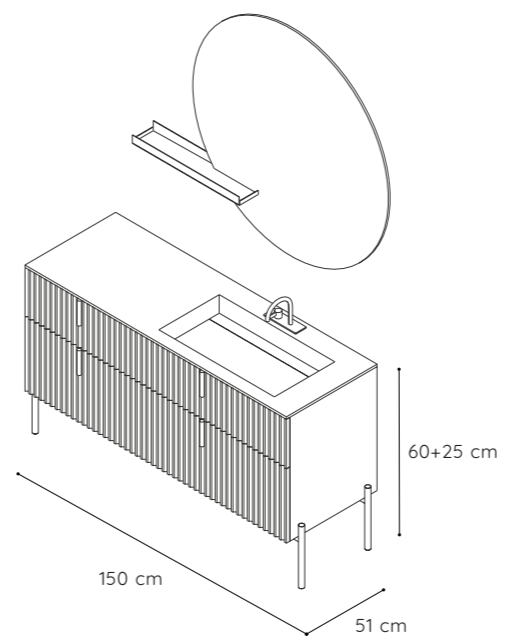
Finiture
 laccato L012M Grigio Polvere opaco
 laccato L006M Grigio Luce opaco
 Deimos Cemento
 metallo nero opaco

Comp
 09
Pag.
 52/57



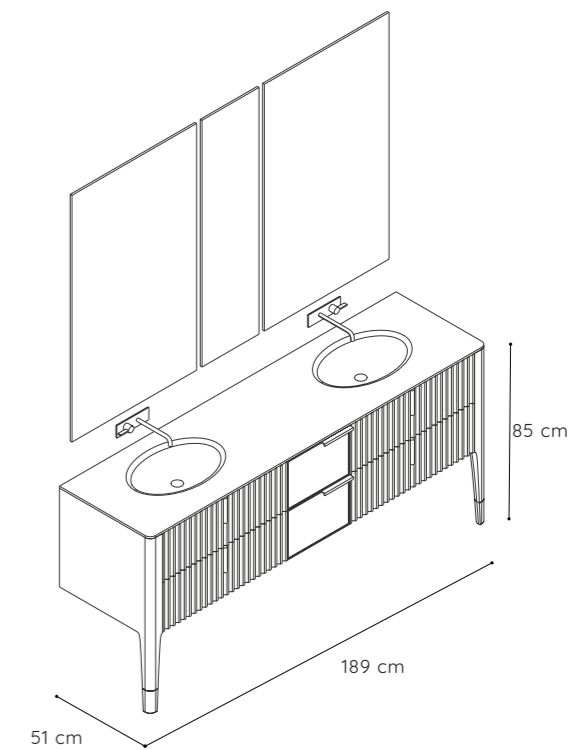
Finiture
 L054M bruma opaco
 L054G bruma lucido
 Tecnoril Bianco opaco
 metallo nero opaco

Comp
 10
Pag.
 58/63



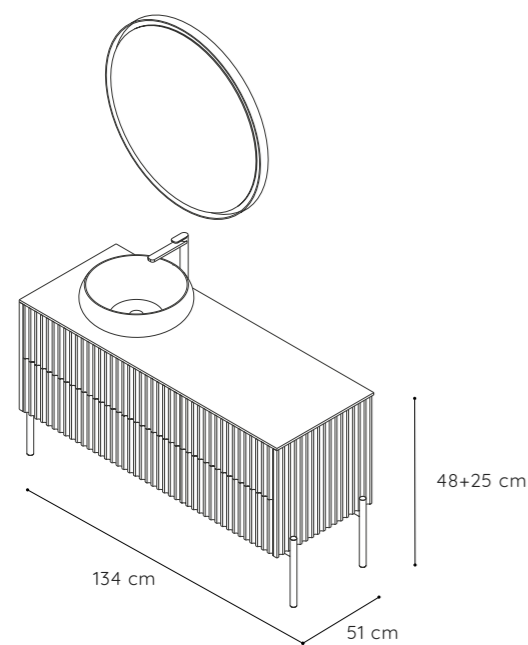
Finiture
 polimerico 189X Fruit Wood
 Gres Emperador
 ottone ART

Comp
 13
Pag.
 78/83



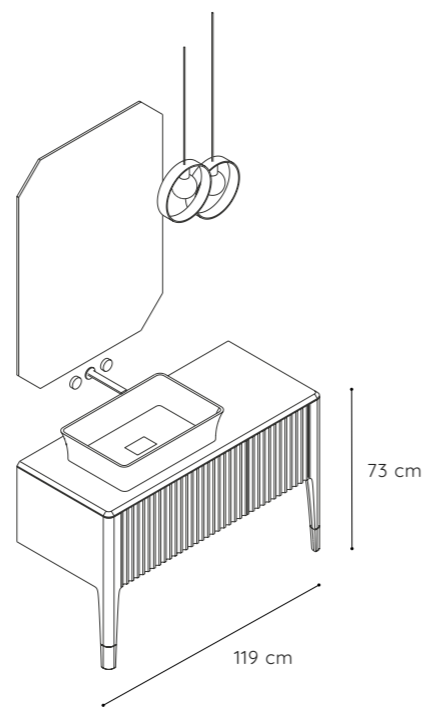
Finiture
 laccato L048M Blu Oceano opaco
 vetro Blu Oceano
 ottone ART

Comp
 14
Pag.
 84/89



Finiture
 polimerico 188X Thermo A
 ottone ART
 vetro fumè

Comp
 11
Pag.
 64/69



Finiture
 laccato L007M Grigio Seta opaco
 marmo Calacatta
 ottone ART

Comp
 12
Pag.
 70/77



STONEWOOD UK LTD
3-5 BUXTON ROAD, HAZELGROVE, STOCKPORT, CHESHIRE. SK7 6AD
Call us now: 01614839120
Email: sales@stonewood.uk.com



Stonewood UK LTD 3-5 Buxton Road, Hazel Grove, Stockport, Cheshire, SK7 6AD
TEL 01614839120 Email: sales@stonewood.uk.com